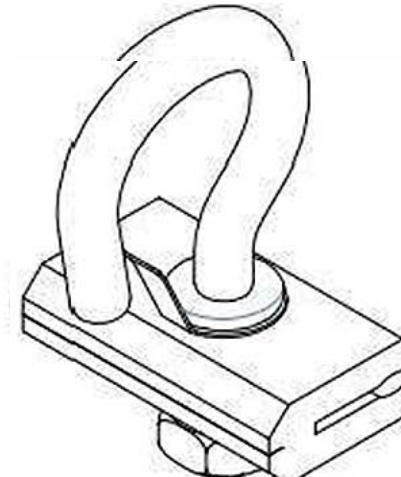
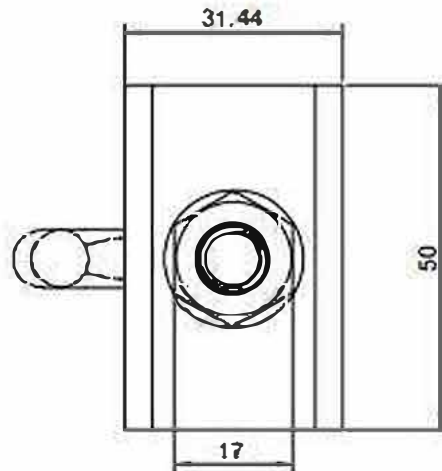
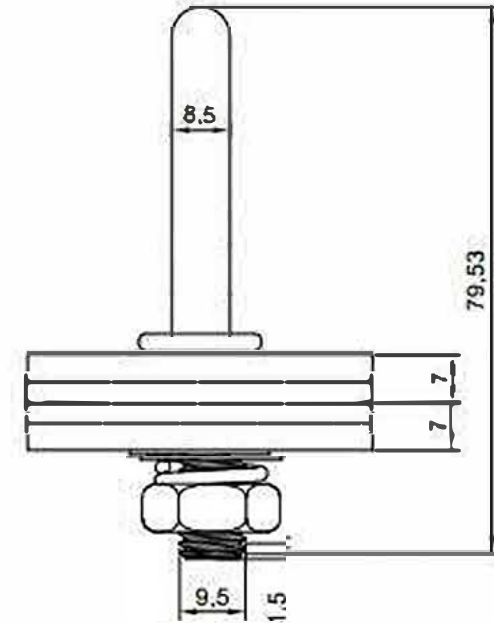
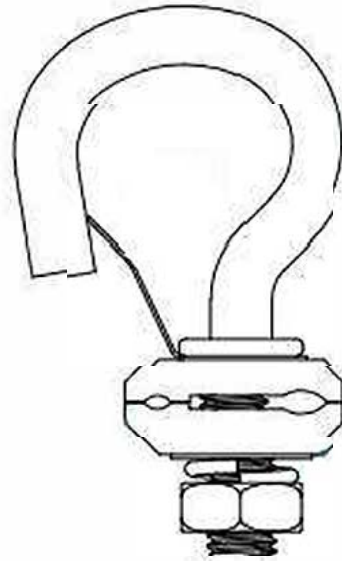




**Aerial Cable Lashing Clamp with Snap Hook with  
1 Inch Galvanized Steel Hook and Aluminum Alloy Clamp**



**Material**  
Hook & Bolt: Galvanized Steel  
Clamp: Aluminum Alloy

**Notes:**

1. Min, breaking strength of Preformed tension CLAMP: 95% of ADSS U.T.S.
2. Suitable for ADSS cable (Dia, 11.5-12.5).
3. All dimensions are in mm.

Tolerances unless otherwise specified per  
a. Dims  $\leq 35\text{mm}$ ..... $\pm 0.7$ ;  
b. Dims  $> 35\text{mm}$ ..... $\pm 2\%$ ;

<b>Name</b>	Aerial Cable Lashing Clamp with Snap Hook
<b>SKU</b>	QT-ACLC-WSH-1IN